

HARKEN®

INSTALLATION SHEET

Cam Swivel Bases

144, 205, 216, 360, 361, 402, 403, 1574

N15W24983 Bluemound Rd. • Pewaukee, WI 53072 USA

Tel: +1 (262) 691-3320 • Fax: +1 (262) 701-5780

Web: harken.com • Email: harken@harken.com



WARNING! Strictly follow all instructions to avoid an accident, damage to your vessel, personal injury or death. See www.harken.com/manuals for additional safety information.



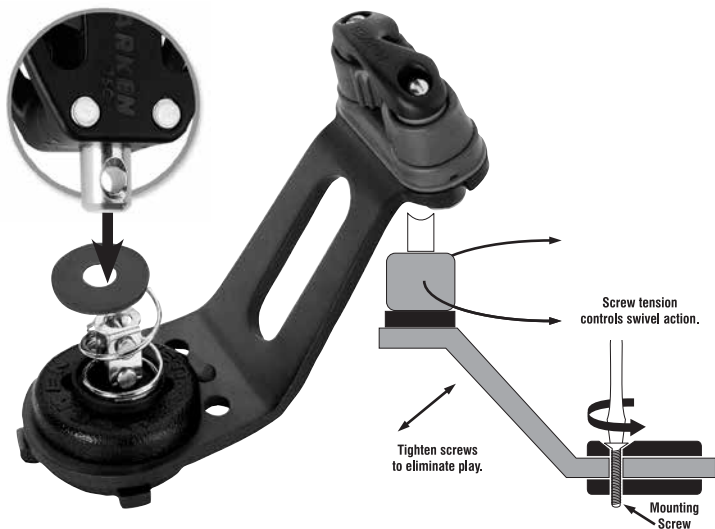
WARNING! To achieve maximum working load of cam swivel base, mount using screws (listed below), washers and locknuts in all four (4) holes.

Part No.	Screw Ø	Screw Spacing (square pattern)	Use Base with These Blocks
144 360	#10 (5 mm)	3/4" (19 mm)	2.25", 3.00" Light Duty Hexaratchet®, 57 mm, 75 mm Carbo® Air® Blocks, inc. Ratchet and Ratchamatic® Blocks
205 216 361	#10 (5 mm)	3/4" (19 mm)	Big Bullet, 2.25", Little Hexaratchet®, 57 mm Carbo® Air® Blocks
402	#10 (5 mm)	3/4" (19 mm)	57 mm Carbo® Air® Blocks, 397, 2634
403	#10 (5mm)	3/4" (19 mm)	57 mm Carbo® Air® Blocks, 397, 399, 2634
1574	1/4" (6 mm)	1 1/6" (27 mm)	Midrange, Hexaratchet® Blocks

Adjust Swivel Arm Rotation

The swivel arm has a small amount of movement between arm and base. Control movement by tightening four mounting screws until swivel begins to bind. Then back screws off. Leave enough tension to slow arm rotation slightly.

(See drawing on reverse side)



Maintenance

Harken equipment requires minimal maintenance, but some is required to give the best service and to comply with Harken's limited warranty.

It is important to keep equipment clean by frequently flushing with fresh water. In corrosive atmospheres, stainless parts may show discoloration around holes, rivets and screws. This is not serious and may be removed with a fine abrasive.

With the exception of winches, do not use grease unless specifically recommended in the instruction sheets.

IMPORTANT! Exposure to some teak cleaners and other caustic solutions can result in discoloration of part and is not covered under the Harken warranty.

Warranty

For additional safety, maintenance and warranty information see www.harken.com/manuals or the Harken® catalog.